

AC 176

Self Contained Ice Machine up to 95 kg

Item #:
Project:
Quantity:



FEATURES

- Produces individual Gourmet crystal clear ice cubes.
- Resistant stainless steel exterior.
- Advanced diagnostics computerized controls.
- Front panel in and out airflow (air-cooled model only) for built-in installation.
- Front access condenser air filter, removable and washable (air cooled version only).
- Easily accessible front panel mount ON-OFF Switch.
- Routine maintenance visible alarm light on front panel. Water system protected by patented anti-scale system.
- Ergonomically designed ice storage access, with disappearing door. Door-closing movement dampening system.



AC L 176
Large Gourmet 39 g
Ø 38 x H 41 mm



AC M 176
Medium Gourmet 20 g
Ø 30 x H 34 mm



AC S 176
Small Gourmet 8 g
Ø 21 x H 25 mm

CONDENSING SYSTEM

Air cooled
Water cooled

INTERNAL BIN CAPACITY

41 kg

REFRIGERANT GAS

R404A

OPERATING REQUIREMENTS

	Minimum	Maximum
Air temperature	10°C	43°C
Water temperature	5°C	38°C
Water pressure	1 bar (14 psi)	5 bar (70 psi)
Electrical voltage	-10%	+10%

VOLTAGE V/Hz/ph

230/50/1
230/60/1

Certifications:



IMPORTANT NOTICE:
Models and specifications are subject to change without notice. This spec sheet is meant for commercial purpose only. For technical documentation please refer to our service manuals.

Download our free App Scotsman Ice
Apple store
Google play
Windows store



www.scotsman-ice.it
www.scotsman-ice.com

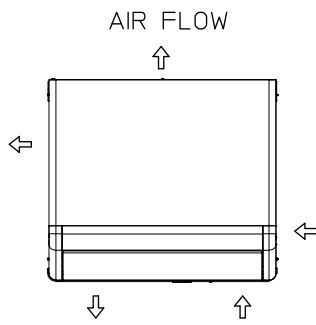
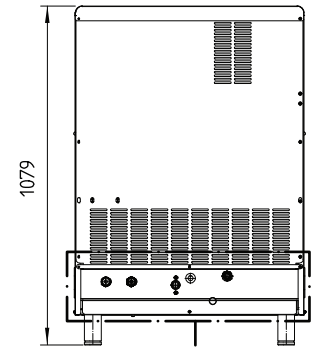
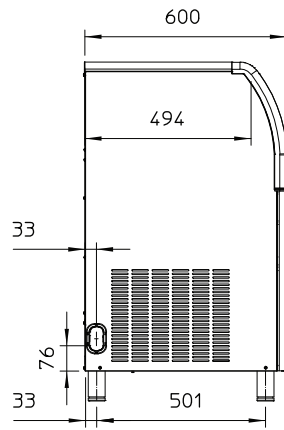
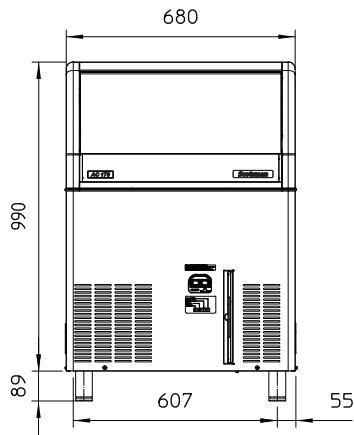
Self Contained Ice Machine up to 95 kg

AC 176

Self Contained Ice Machine up to 95 kg

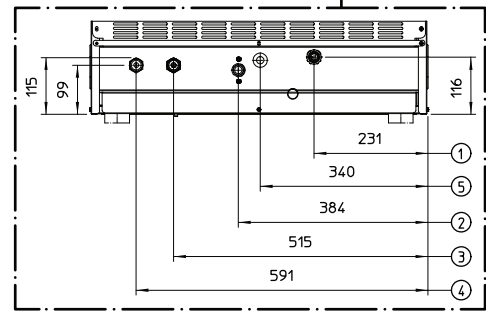
Item #:
Project:
Quantity:

Self Contained Ice Machine up to 95 kg



UNIT OF MEASUREMENT: mm

- 25/32" OD - OVERFLOW DRAIN
- 3/4" GAS - WATER INLET
- 3/4" GAS - WATER OUTLET
WATER COOLED UNIT ONLY
- 3/4" GAS - WATER INLET
WATER COOLED UNIT ONLY
- CORD SET



UNIT DATA			Compressor		Circuit wires		Max. fuse size					
			Version	Voltage	Btu/h	W	No.	Ømm ²	A			
Size (W x D x H)	680 x 600 x 1079 mm		AC L 176 AS	230/50/1	5132	1504	3	1.5	16			
Net weight	70 kg		AC L 176 AS	230/60/1	6142	1800	3	1.5	16			
SHIPPING DATA			AC L 176 WS	230/50/1	5132	1504	3	1.5	16			
			AC M 176 AS	230/50/1	5118	1500	3	1.5	16			
			AC M 176 AS	230/60/1	6142	1800	3	1.5	16			
			AC M 176 WS	230/50/1	5118	1500	3	1.5	16			
			AC M 176 WS	230/60/1	6142	1800	3	1.5	16			
			AC S 176 AS	230/50/1	5118	1500	3	1.5	16			
			AC S 176 WS	230/50/1	5118	1500	3	1.5	16			
			AC S 176 WS	230/60/1	3651	1070	3	1.5	16			
						24 h ice production kg °C Amb. / °C Water			Energy consumption*		Water usage*	Instant power
			Version	Condensation	Voltage	10°C/10°C	21°C/10°C	32°C/21°C	kWh/100 kg	kWh/24h	l/h	W
AC L 176 AS	Air	230/50/1	71	70	58	25.9	15.0	7.9	860			
AC L 176 AS	Air	230/60/1	85	83	65	26.0	17.0	9.6	860			
AC L 176 WS	Water	230/50/1	71	70	58	25.9	15.0	79.2	610			
AC M 176 AS	Air	230/50/1	85	83	65	25.7	16.7	7.1	900			
AC M 176 AS	Air	230/60/1	85	83	65	26.0	17.0	9.6	900			
AC M 176 WS	Water	230/50/1	85	80	68	20.6	14.0	79.2	610			
AC M 176 WS	Water	230/60/1	95	91	77	19.8	15.2	10.8	650			
AC S 176 AS	Air	230/50/1	70	69	55	29.1	16.0	9.6	900			
AC S 176 WS	Water	230/50/1	70	69	55	29.1	16.0	79.2	760			
AC S 176 WS	Water	230/60/1	72	66	57	32.4	18.8	87.5	750			

(*) Data refer to 32°C Amb. / 21°C Water temperature conditions