

# SL 110



## FROZEN DICE



Self-contained ice maker - Sprayer system  
Daily production up to 55 kg

### • Position n°



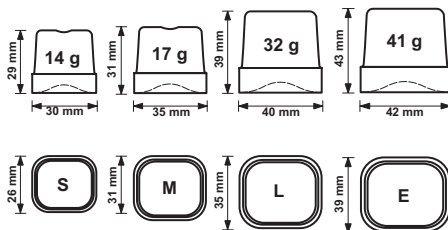
### • Application fields

Hotel	●●●●●●●●●●	Fish market	●●●●●●●●●●
Restaurant	●●●●●●●●●●	Supermarket	●●●●●●●●●●
Fast food	●●●●●●●●●●	SPA	●●●●●●●●●●
Bar	●●●●●●●●●●	Medical	●●●●●●●●●●
Disco	●●●●●●●●●●	Industry	●●●●●●●●●●

### • Features & Plus

- Full cube, compact and crystalline
- External structure AISI 304 Scotch Brite
- Side grilles for better ventilation
- Removable side panels
- Electromechanical functioning
- Air Cooling and Water Cooling systems
- Standard and special voltages
- Insulated retractable door
- ON-OFF switch
- Internal bin insulation HCFC free
- Conformity to RoHS directive
- Easy cleaning thanks to rounded surfaces
- Model in Tropical Class + 43 ° C
- Adjustable Stainless Steel feet
- Undercounter model

### • Available dice size



### • Prod. 24h

Air temp.	Water temp.	Prod. 24h kg
10° C	10° C	55
21° C	15° C	53
32° C	21° C	45

## 2 Years Warranty

subject to limitations

### • Certifications available for this model



www.ntfice.it  
info@ntfice.it



ntfice.it



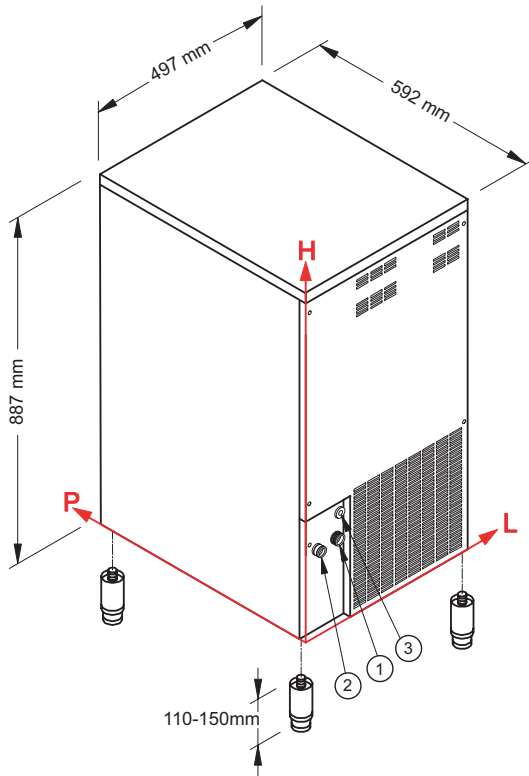
# SL 110



## FROZEN DICE



Self-contained ice maker - Sprayer system  
Daily production up to 55 kg



### • Connections

All measures are referred to the rear bottom-left corner (L-H-Ø)

- ① Water inlet:  
129 mm - 132 mm - 3/4"
- ② Water outlet:  
56 mm - 154 mm - 24 mm
- ③ Electrical connection:  
94 mm - 202 mm

### • Working conditions

- Location: Indoor

	Min	Max
Ambient temperature	+10° C	+43° C
Water temperature	+3° C	+32° C
Voltage	-10%	+10%
Water inlet pressure	1bar (14 psi)	6bar (84 psi)

### • Technical information

Production in 24h	53 kg
Store capacity, up to	25 kg
Cooling system	A - W
Kind of cube	14-17-32-41 g
Refrigerant	R404A - R452A
Standard voltage	220-240 V ~ 50 Hz
Electrical consumption	500 W
Fuse	10 A
Water consumption	A: 4 l/kg W: 18 l/kg
Sizes (L-P-H mm)	497 - 592 - 887
Sizes with pack (L-P-H mm)	550 - 660 - 1060
Net weight	55 kg
Gross weight	64 kg
Finish	AISI 304 stainless steel, scotch brite

All the technical information must be considered at the following conditions:

Sizes without feet	Standard Cube (17 g)	Ambient temperature +21° C	Water temperature +15° C	Electrical consumption at +43° C (standard voltage)
Refrigerant R404A				

Models and specifications are subject to change without notice  
Rev. 01 - Issued May 2018



[www.ntfice.it](http://www.ntfice.it)  
info@ntfice.it



ntfice.it

